

## Items Supplied >

- 1 – Powrpro Black Fuel Injection Module
- 2 – Zip Ties
- 1 – Velcro Strip

## Application(s) >

HARLEY 95-01	FLH
W/ Mag Marrelli	FLHT
Fuel Injection	FLHS
	FLTR
	ROADKING

## Instruction Manual >

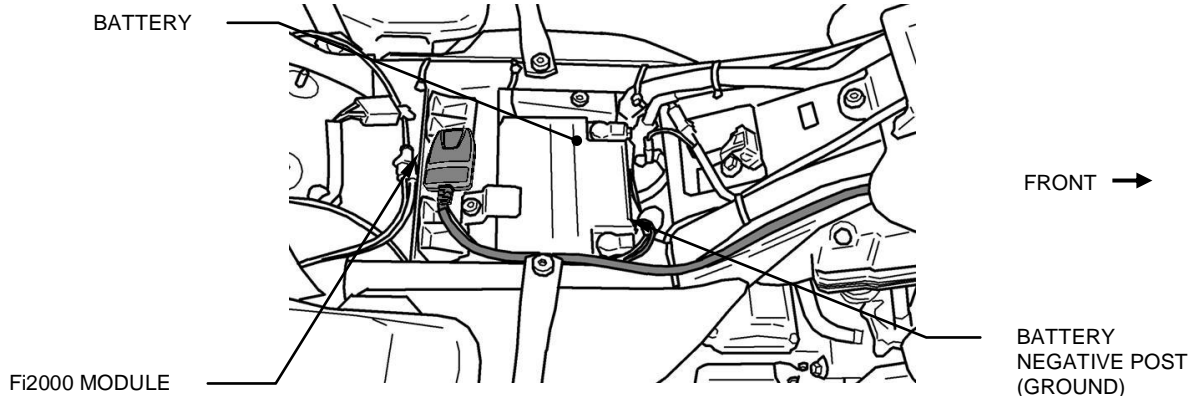
92-1603B

Page 1 of 2

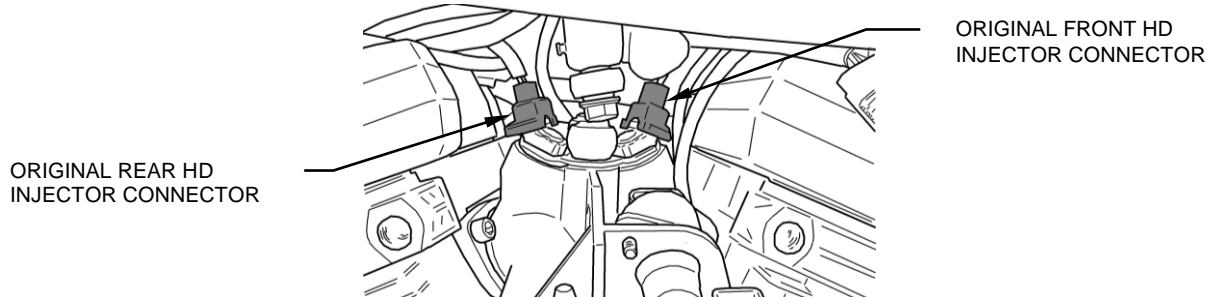
**Read all instructions carefully and completely before installing your new POWRPRO module. It is recommended that a qualified mechanic or technician install this product.**

1. Remove the seat and air cleaner assembly. Remove both front and rear gas tank mounting bolts.
2. Prop the rear of the gas tank up approximately 2".
3. Locate the factory connector on each fuel injector. Depress the wire clip on the injector and pull the connector free and move out of way. **Note:** A pair of needle nose pliers and a long flat blade screwdriver helps with this job.
4. Lay the Fi2000 module in place, but do not attach it to the motorcycle, and run the wiring harness up to the manifold area behind the other wiring of the throttle body (See Figure 1). Attach one pair of the Fi2000 module's injector plugs to the front injector. Take the original HD connector and insert the corresponding Fi2000 connector into it (See Figure 2).
5. Attach the Fi2000 module's remaining pair of connectors to the rear injector. Then take the original HD connector and insert the corresponding Fi2000 connector into it. Use one of the supplied zip-ties to secure the Fi2000 wire harness to the upper motor mount before it is routed back towards the seat area.
6. Route the BLACK wire from the module to the negative post of the battery as shown in Figure 1.
7. Verify that the module has power and connections have been made correctly; watch the clear window on the FI housing and turn "ON" the key ignition and set the handlebar run switch to "ON", confirm that the Red LED turns on. On some models the Red light will turn off after 4-5 seconds as the fuel pump cycles off, which is OK. If you do not see a Red light, it may be necessary to wait for the alarm to reset (if applicable) and try again. Also confirm the side stand is up, bike is in neutral, and clutch is in. Start the bike and confirm the LED remains on solid Red. **NOTE:** Make sure ignition is turned off before attempting to change any Fi2000 harness connections if no Red light is seen. For access to the Blue Tooth Tuning App on the module, please download the Fi2000 App to your smart device, Android 4.3 & later or Apple iOS 5.0 & later operating systems. Once the app is installed, make sure the motorcycle is in neutral and start the engine, use the connect button within the app and the Blue light on the Fi module window will light up during pairing connection and remain solid Blue while paired and connected with respective Android or Apple Device. Once the app has been used and settings saved and disconnected through the app, the Blue light will turn off, and the PowrPro Black will be ready for continued service on the motorcycle.
8. Route the Fi2000 wiring harness along side the factory harness using the supplied zip ties, keeping it off the cylinder head or getting it pinched under the gas tank. Lower and re-attach the fuel tank.
9. Remove the backing from the Velcro and attach the Fi2000 next to the battery as shown in Fig 1.
10. Re-install the seat and air cleaner assembly.

**DISCLAIMER: NOT LEGAL FOR SALE OR USE IN CALIFORNIA ON ANY POLLUTION CONTROLLED MOTOR VEHICLES.**



**FIGURE 1**  
(02-05 shown, 95' - 01' similar)



**FIGURE 2** (95 - 01 W/O Fi2000 installed)

**DISCLAIMER:** NOT LEGAL FOR SALE OR USE IN CALIFORNIA ON ANY POLLUTION CONTROLLED MOTOR VEHICLES. Tech Support <https://fi2000.com>